

10 REFERENCES

- [1] J.K.Salisbury, (1980) "Active stiffness control of a manipulator in Cartesian coordinates," in *Proc. 19th IEEE CDC*, 1980, pp, 95-100.
- [2] M.H.Raibert and J.J.Craig, (1981) "Hybrid position/force control of manipulator," *Trans, ASME, J.Dyn.Syst.Meas.Control*, vol. 102, pp, 126-133, 1981.
- [3] N.Hogan, (1985) "Impedance control: An approach to manipulator, part:I- Theory," *Trans, ASME, J.Dyn.Syst.Meas.Control*, vol. 107, pp, 1-7, mar. 1985.
- [4] N.Hogan,(1985) "Impedance control: An approach to manipulator, part:II- Theory," *Trans, ASME, J.Dyn.Syst.Meas.Control*, vol. 107, pp, 8-16, mar. 1985.
- [5] N.Hogan, (1985) "Impedance control: An approach to manipulator, part:III- Theory," *Trans, ASME, J.Dyn.Syst.Meas.Control*, vol. 107, pp, 17-24, mar. 1985.
- [6] S.Jung and T.C.Hsia, (2000) "Robust neural force control scheme under uncertainties in robot dynamics and unknown environment," *IEEE Trans. Ind. Electron.*, vol, 47 no, 2. Pp, 403-412, Apr, 2000.
- [7] A.M Harsha S.Abeykoon, Kouhei Ohnishi (2007): "Virtual tool for bilaterally controlled forceps robot-for minimally invasive surgery," *Transaction on international Journal of Medical Robotics and Computer Assisted Surgery*. ISSN 1478-5951, VOL 3; No 3, pp. 271-280, 2007.
- [8] K.Nishimura, T. Shimono, K. Ohnishi (2006): "Improvement of Reproducibility and Operationality for Bilateral control by Nominal Mass Design," *Industrial Technology, 2006. ICIT 2006, IEEE International Conference*; Vol, no, pp. 1326-1331, 15-17 DEC. 2006.
- [9] S.Katsura, T.Suzuyama, K.Ohnishi (2007): "Bilateral Teleoperation with Different Configuration using Interaction Mode Control," *Industrial Electronics, 2007. ISIE 2007. IEEE International Symposium*, vol., no., pp.3120-3125,4-7 June 2007.
- [10] A.M Harsha S.Abeykoon, Kouhei Ohnishi (2008): "Improvement of Tactile Sensation of a Bilateral Forceps Robot by a Switching Virtual Model," *Transaction on Advanced Robotics*", Vol. 8, pp. 789-806 (18), 2008.
- [11] K.Ohishi, K.Ohnishi and K.Miyachi, (1983)"Torque-speed regulation of DC motor based on load torque estimation," *IEEJ IPEC-Tokyo*,, 1983,vol.2, pp. 1209-1216.
- [12] K.Ohnishi, M.Shibata, and T.Murakami, (1996) "Motion control for advanced mechatronics," *IEEE/ASME Trans. Mechatronics*, Vol. 1, no. 1, pp. 56-67, Mar.1996.

- [13] W.Li and J.H.Kim, (1994) “Adaptive high precision control of positioning tables-theory and experiments,” *IEEE Trans Control. Syst. Technology.*, vol 2, pp 226-270, 1994.
- [14] C.Canudas de Wit, K.J.Astrom, and K.Braun, (1987) “Adaptive friction compensation in DC-motor drive,” *IEEE J.Robot. Automation.*, vol. 3, pp 681-685, 1987.
- [15] C.G.Baril and P.O.Gutman, (1997) “performance enhancing adaptive friction compensation for uncertain systems,” *IEEE Trans.Control. Syst. Technol.*, vol. 5, pp.446-479, 1997.
- [16] K.Nishimura, T.Shimono, K.Ohnishi (2006) : “Improvement of Reproducibility and Operationality for Bilateral Control by Nominal Mass Design,” *Industrial Technology, 2006. ICIT 2006, IEEE International conference on*, vol., no., pp, 1326-1331, 15-17 Dec-2006.
- [17] J.Vertut, P.Coiffect (1985) : “ Teleoperation and Robotics: Application and Technology,” *Springer*, 1985.
- [18] A.Sabanovic, (2003) “Sliding modes in Power electronics and motion control systems,” in *Proceeding 29th IEEE Annu. IECON, 2003*, pp. 997-1002.
- [19] Katsuhiko Ogata (2006) *Modern Control Engineering*. Prentice Hall of India Private Limited, India, (Fourth Edition).
- [20] Sabri Cetinkunt (2007) *Mechatronics*, John Wiley and sons, Inc., USA, (First Edition).
- [21] M.Satmborska, (2012) “Determination of stress fields from measured relative deformation fields using digital image correlation”, *I. Workshop of young researchers*, VSB-TUO, ISBN 978-80-248-2885-5.
- [22] Wahyudi,(2008) “Artificial Intelligent Based Friction Identification using Multilayer Feedforward Network”, *Proceeding of the 4th International Colloquium on signal Processing and its Applications (CSPA)*.
- [23] Wahyudi, (2003) “Friction Identification and Compensation for High Precision Motion Control Sysyem – Part 1: Friction Identification”, *Processing of industrial Electronics Seminar (IES)*.
- [24] D.P Castle, J.P Bobis (1992). “Velocity model reference adaptive control of the conventional permanent magnet and variable flux DC motors”. *Proceeding of the IEEE International Conference on Industrial Electronics, Control, Instrumentation, and Automation*, November, 1992, Australia, 1303-1308.
- [25] C.C. George Lee et. Al (1983): “Tutorial on Robotics”, *IEEE Computer Society Press*, 1983

- [26] K. Takeo, K. Kosuge (1997) : "Implementation of the micro-macro teleoperation system without using slave-side force sensors," *Robotics and Automation, 1997. Proceedings., 1997 IEEE International Conference on* , vol.2, no., pp.1600-1605 vol.2, 20-25 Apr 1997
- [27] H. Mayer, I. Nagy, A. Knoll, E.U. Schirmbeck, R. Bauernschmitt (2005): "An experimental system for robotic heart surgery," *Computer-Based Medical Systems, 2005. Proceedings. 18th IEEE Symposium on* , vol., no., pp. 55-60, 23-24 June 2005
- [28] S. Katsura (2004): "Advanced Motion Control Based on Quarry of Environmental Information", Keio University, PhD thesis, March 2004
- [29] S. Katsura.; Y. Matsumoto, K. Ohnishi (2003) : "Modeling of force sensing and validation of disturbance observer for force control," *Industrial Electronics Society, 2003. IECON '03. The 29th Annual Conference of the IEEE* , vol.1, no., pp. 291-296 vol.1, 2-6 Nov. 2003.
- [30] K. Ohnishi, N. Matsui, Y. Hori (1994): "Estimation, identification, and sensorless control in motion control system," *Proceedings of the IEEE* , vol.82, no.8 pp.1253-1265, Aug 1994.
- [31] DRV8432 datasheet from Texas Instrument, USA.
- [32] www.mbed.org
- [33] Shuqiang Su; Nanlin Tan;(2011) , "Study of the Modeling Method of Diesel Locomotive's Transmission System Based on System Identification," *Information and Computing (ICIC), 2011 Fourth International Conference on* , vol., no., pp.440-445, 25-27 April 2011
- [34] Bezold, Karl-Heinz; Forster, Johannes; Zander, Hilmar; (1973) , "Thyristor Converters for Traction DC Motor Drives," *Industry Applications, IEEE Transactions on* , vol.IA-9, no.5, pp.612-617, Sept. 1973
- [35] Castle, D.P.; Bobis, J.P.; (1992) , "Velocity model reference adaptive control of the conventional permanent magnet and variable flux DC motors," *Industrial Electronics, Control, Instrumentation, and Automation, 1992. Power Electronics and Motion Control., Proceedings of the 1992 International Conference on* , vol., no., pp.1303-1308 vol.3, 9-13 Nov 1992
- [36] Ohishi, Kiyoshi; Nakao, Masato; Ohnishi, Kouhei; Miyachi, Kunio; (1987), "Microprocessor-Controlled DC Motor for Load-Insensitive Position Servo System," *Industrial Electronics, IEEE Transactions on* , vol.IE-34, no.1, pp.44-49, Feb. 1987



- [37] Katsura, S.; Irie, K.; Ohishi, K.; (2008) , "Wideband Force Control by Position-Acceleration Integrated Disturbance Observer," *Industrial Electronics, IEEE Transactions on* , vol.55, no.4, pp.1699-1706, April 2008
- [38] Asif Sabanovic, Kouhei Ohnishi (2011) *Motion control systems*, IEEE press John Willey and sons (Asia) pte Ltd, (First Edition).
- [39] Ohnishi. K, Matsui. N, Hori. Y (1994) .Estimation Identification and Sensorless Control in Motion Control System.*Proceedings of the IEEE conference on Industrial Technology*, December, 1994, Tokyo, Japan, 1253-1265.
- [40] Hasala R. Senevirathne, A.M.Harsha S.Abeykoon, M. Branesh Pillai (2012). Disturbance Rejection Analysis of a Disturbance Observer based Velocity Controller. *Proceeding of the 6th IEEE Conference on Information and Automation*, September, 2012, Beijing, China, 59 -64.
- [41] Kuo, B.C. (2003) *Automatic Control Systems*. Prentice Hall of India Private Limited, India, (Seventh Edition).
- [42] D.P Castle, J.P Bobis (1992). Velocity model reference adaptive control of the conventional permanent magnet and variable flux DC motors. *Proceeding of the IEEE International Conference on Industrial Electronics, Control, Instrumentation, and Automation*, November, 1992, Australia, 1303-1308.
- [43] Guoshing. Huang, Shuocheng. Lee (2008). PC-based PID speed control in DC motor. *Proceedings of the International Conference on Audio, Language and Image Processing*, July, 2008, Shanghai, 400-407.
- [44] Lee, C.K.; Pang, W.H (1994). Adaptive control to parameter variations in a DC motor control system using fuzzy rules. *Proceeding of the Second International Conference on Intelligent Systems Engineering*, September, 1994, Germany, 247-254.
- [45] Katsura. S, Irie. K, Ohishi. K (2008). Wideband Force control by Position- Acceleration Integrated Disturbance Observer. *IEEE Transactions on Industrial Electronics* **55**(4):1699-1706.
- [46] Lawrence. D (1993). Stability and transparency in bilateral teleoperation. *IEEE Transactions on Robotics and Automation* **9**(5):624-637.
- [47] Ohnishi. K, Shibata. M, Murakami. T (1996). Motion Control for Advanced Mechatronics. *IEEE/ASME Transactions on Mechatronics* **1**(1):56-67.
- [48] Nwokah, Osita D. I.(1987). Pseudo-Derivative Feedback Control. *Proceeding of the American Control Conference*. June, 1987, California, 1811-1814.

- [49] Asif Sabanovic, Kouhei Ohnishi (2011) *Motion control systems*, IEEE press John Willey and sons (Asia) pte Ltd, (First Edition).
- [50] J.Hong, (1999) *Neural adaptive tracking control of a DC motor* Informat Sci.
- [51] Hasala R. Senevirathne, A.M.Harsha S.Abeykoon, M. Branesh Pillai (2012). “Disturbance Rejection Analysis of a Disturbance Observer based Velocity Controller”, *Proceeding of the 6th IEEE Conference on Information and Automation*, September, 2012, Beijing, China, 59 -64.
- [52] M.Satmborska, (2012) “Determination of stress fields from measured relative deformation fields using digital image correlation”, *I. Workshop of young researchers*, VSB-TUO, ISBN 978-80-248-2885-5.
- [53] Wahyudi,(2008) “Artificial Intelligent Based Friction Identification using Multilayer Feedforward Network”, *Proceeding of the 4th International Colloquium on signal Processing and its Applications (CSPA)*.
- [54] Wahyudi, (2003) “Friction Identification and Compensation for High Precision Motion Control System – Part 1: Friction Identification”, *Processing of industrial Electronics Seminar (IES)*.
- [55] D.P Castle, J.P. Bobis (1992). “Velocity model reference adaptive control of the conventional permanent magnet and variable flux DC motors”. *Proceeding of the IEEE International Conference on Industrial Electronics, Control, Instrumentation, and Automation*, November, 1992, Australia, 1303-1308.
- [56] A.M. Harsha S. Abeykoon, M.Branesh Pillai, (2013) “Sensorless Contact Position Estimation of a Mobile Robot in Pushing Motion” [ICCPCT-2013 IEEE International Conference on Circuits, Power and Computing Technologies](#).
- [57] A.M. Harsha S. Abeykoon, M.Branesh Pillai, (2013) “Virtual Torsional Spring Based Bilateral Control System for soft manipulation” [ICCPCT-2013 IEEE International Conference on Circuits, Power and Computing Technologies](#).
- [58] Kuo, B.C. (2003) *Automatic Control Systems*. Prentice Hall of India Private Limited, India, (Seventh Edition).
- [59] T.Murakami, K.Ohnishi, (1993) “ Observer Based Motion Control- Application to Robust Control and Parameter Identification”, *IEEE transaction on Industrial Electronics*.
- [60] I. Virgala, P. Frankovsky, M. Kenderova, (2013) “Friction Effect Analysis of a DC Motor” *Transaction on American Journal of Mechanical Engineering*, Vol.1 No. 1, 1-5.

- [61] B.Armstrong-Helouvry, P. Dupont, C. Canudas de Wit, (1994) “A survey of models, analysis tools and compensation methods for control of machines with friction,” *Automatica*, vol.30. no. 7, pp 1083-1138, 1994.
- [62] C.Iurian, F.Ikhouane, J.Rodellar, R.Grino, (2005) “Identifaction of a system with dry friction”, University of Barcelona.
- [63] B.Amstrong, (1993) “Stick slip and control in low-speed motion”, *IEEE transaction on automatic control*, vol. 38, No. 10.
- [64] Abeykoon A.M Harsha S, Ohnishi. K (2007). Virtual tool for bilaterally controlled forceps robot-for minimally invasive surgery. *Journal of Medical Robotics and Computer Assisted Surgery* **3**(3):271-280.
- [65] Abeykoon A.M Harsha S, Ohnishi. K (2008). Improvement of Tactile Sensation of a Bilateral Forceps Robot by a Switching Virtual Model. *Journal of Advanced Robotics* **8**: 789-806.
- [66] Nishimura. K, Shimono. T, Ohnishi. K (2006). Improvement of Reproducibility and Operationality for Bilateral control by Nominal Mass Design. *Proceedings of the IEEE conference on Industrial Technology*, December, 2006, Mumbai, India, 1326-1331.
- [67] Sumiyoshi. Y, Ohnishi. K (2004). The transformation of modified 4-channel architecture. *The 8th IEEE International workshop on Advance Motion Control*, March, 2004, Kawasaki, Japan, 211-216.
- [68] Yokokohji. Y, Yoshikawa. T (1994). Bilateral control of Master-slave Manipulator for ideal Kinesthetic Coupling- Formulation and Experiment. *IEEE Transaction on Robotics and Automation* **10**(5): 605-620.
- [69] Lawrence. D (1993). Stability and transparency in bilateral teleoperation. *IEEE Transactions on Robotics and Automation* **9**(5):624-637.
- [70] Katsura. S, Irie. K, Ohishi. K (2008). Wideband Force control by Position- Acceleration Integrated Disturbance Observer. *IEEE Transactions on Industrial Electronics* **55**(4):1699-1706.
- [71] Hashtrudi-Zaad. K, Salcudean. S.E (2002). Bilateral Parallel force/position Teleoperation control. *Journal of Robotics Systems* **19**(4):155-167.
- [72] Hashtrudi-Zaad. K, Salcudean. S. E (2002). Transparency in Time-Delayed Systems and the Effect of Local Force Feedback for Transparent Teleoperation. *IEEE Transactions on Robotics and Automation* **18**(1):108-114.

- [73] Ohnishi. K, Matsui. N, Hori. Y (1994). Estimation Identification and Sensorless Control in Motion Control System. *Proceedings of the IEEE conference on Industrial Technology*, December, 1994, Tokyo, Japan, 1253-1265.
- [74] Murakami. T, YU. F, Ohnishi. K (1993). Torque sensorless control in multidegree-of-freedom manipulator. *IEEE Transactions on Industrial Electronics* **40**(2):259-265.
- [75] Tsuji. T, Ohnishi. K (2004). Position/Force scaling of function based bilateral control system. *Proceeding of the IEEE International Conference on Industrial Technology*, December, 2004, Hammamet, Tunisia, 96-101.
- [76] Itoh. T, Kosuge. K, Fukuda.T (2000). Human-Machine Cooperative Telemanipulation with Motion and force Scaling using Task-Oriented Virtual Tool Dynamics. *IEEE Transaction on Robotics and Automation* **16**(5):505-516.
- [77] Shimono. T, Katsura. S, Ohnishi. K (2005). Improvement of Operationality for Bilateral Control based on Nominal Mass Design in Disturbance Observer. *Proceeding of the 31st Annual IEEE Conference on Industrial Electronics*, November, 2005, North California, USA, 229-233.
- [78] Abeykoon A.M.Harsha S, Senevirathne Hasala R. (2012). Disturbance Observer Based Current Controller for a Brushed DC Motor. *Proceeding of the 6th IEEE Conference on Information and Automation*, September, 2012, Beijing, China, 59-64.



11 APPENDIX



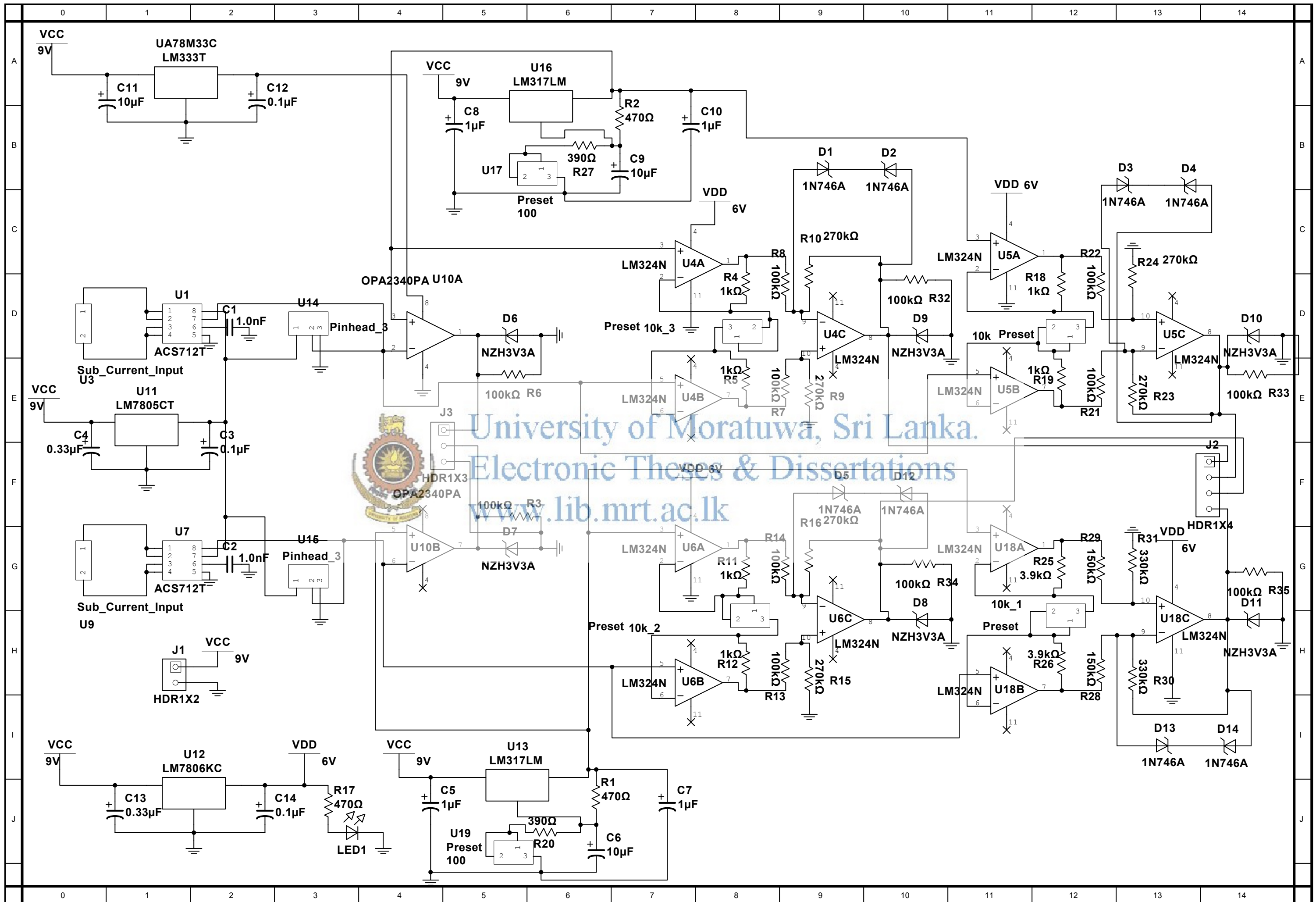
University of Moratuwa, Sri Lanka.
Electronic Theses & Dissertations
www.lib.mrt.ac.lk

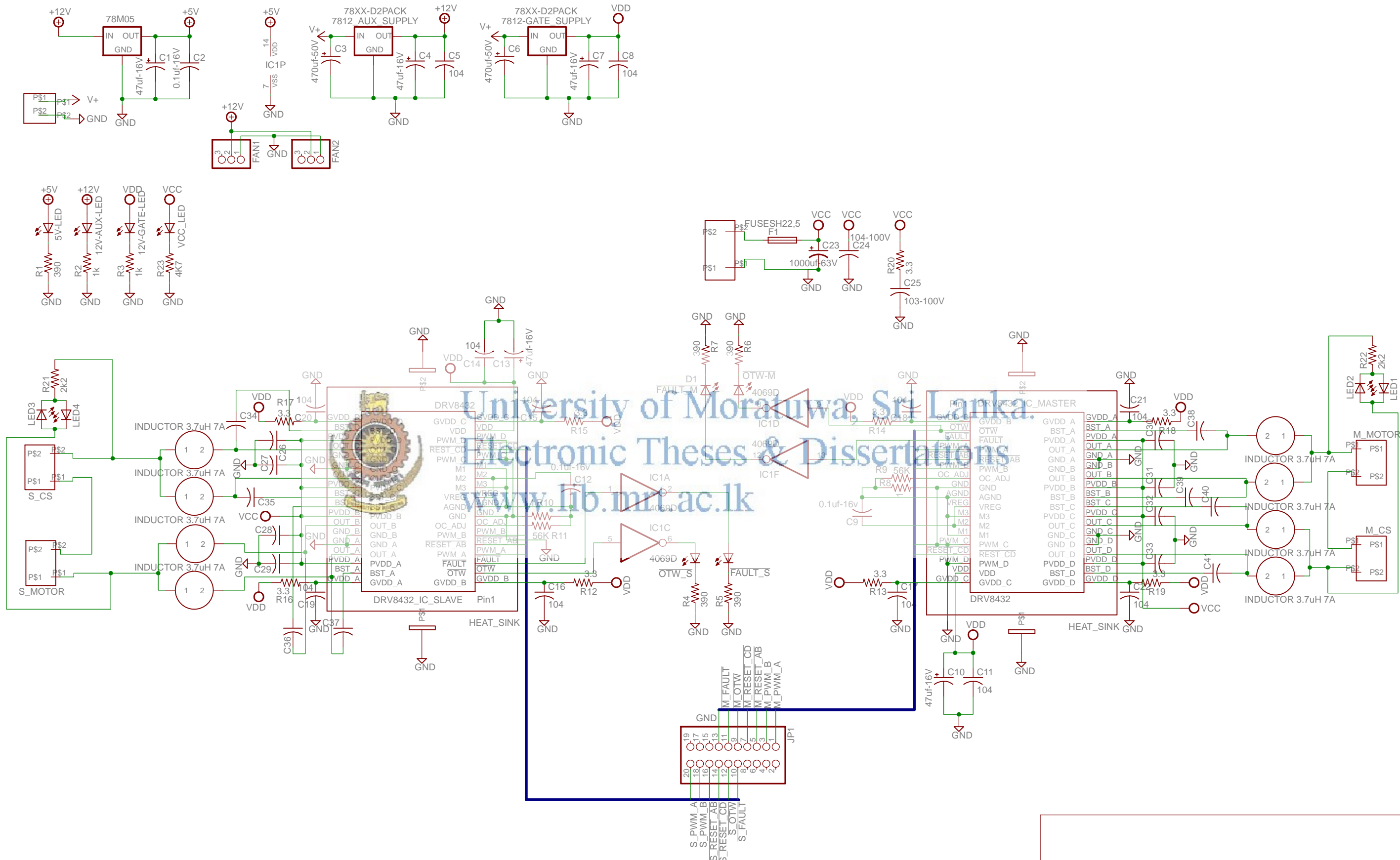
Figure 11.1: Current sensor module

Figure 11.2: Motor controller



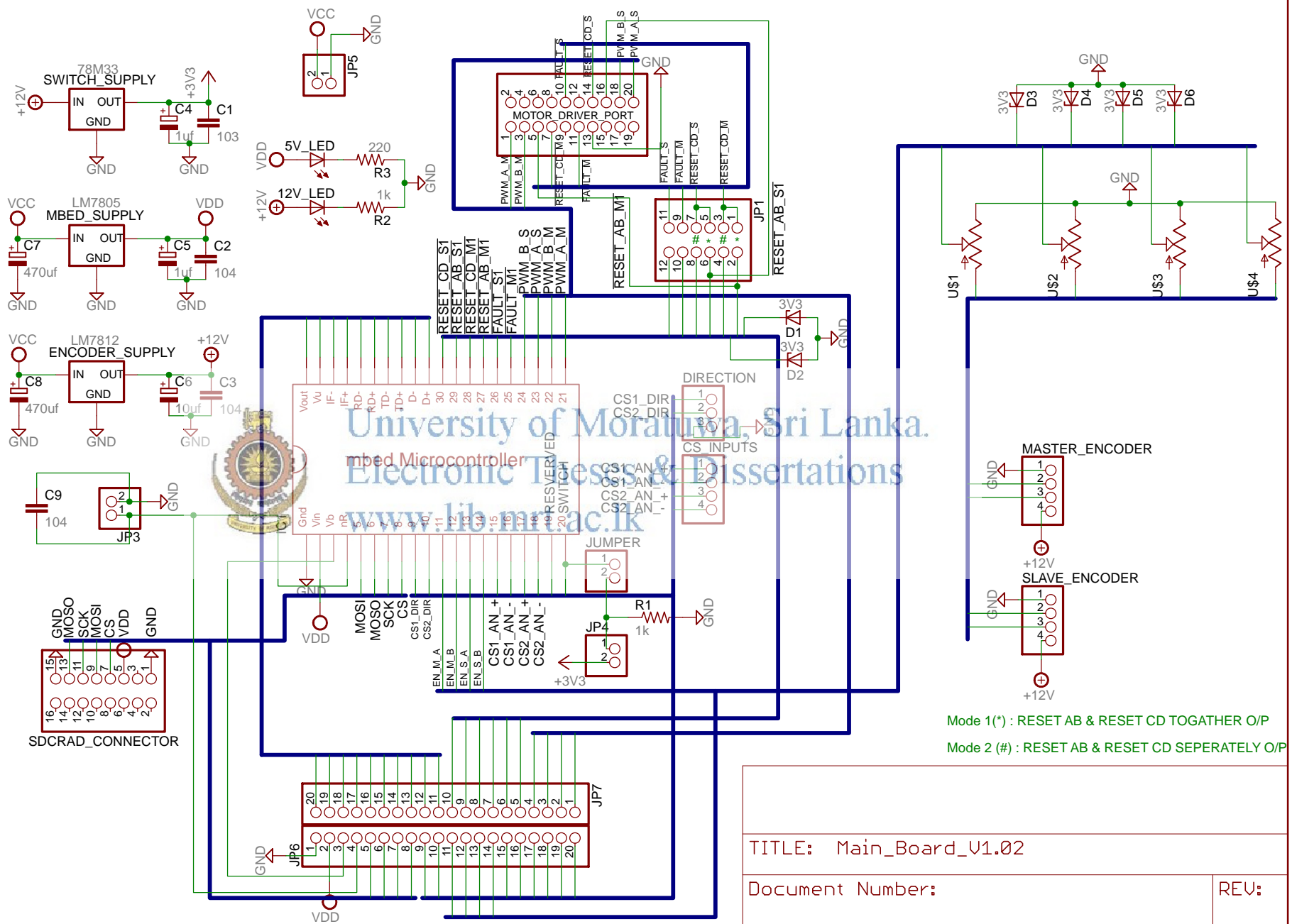
University of Moratuwa, Sri Lanka.
Electronic Theses & Dissertations
www.lib.mrt.ac.lk





University of Moratuwa, Sri Lanka.
 Electronic Theses & Dissertations
 www.lib.mru.ac.lk

TITLE: DRV8432_MOTOR_DRIVER_LAST_U1.05	
Document Number:	REV:
Date: 11/29/2012 12:34:10 AM	Sheet: 1/1



University of Moratuwa, Sri Lanka.
 Electronic Testing & Dissertations
www.lib.mru.ac.lk

Mode 1(*) : RESET AB & RESET CD TOGETHER O/P
 Mode 2 (#) : RESET AB & RESET CD SEPERATELY O/P

TITLE: Main_Board_V1.02	
Document Number:	REV:
Date: 12/6/2012 1:20:45 PM	Sheet: 1/1